



FEATURES

- Output On/Off Control
- Fan Speed Control
- Ball Bearing Fan
- Power Good Signal
- Short Circuit Protection
- OVP
- OCP
- OTP
- Power Density: 11.61W/in³
- Compliance with 80 plus
- Active Power Factor Correction
- 1+1 Redundant
- Hot Swap
- I²C Interface(Optional)
- PMBUS Ver.1.1(Optional)

INPUT SPEC.

Input Voltage Range	90~265 Vac
Input Frequency Range	47~63Hz
Leakage Current	0.75mA
Input Current	9.9A@100Vac , 4.9A@200Vac

Power Factor

Over 0.95 during 115V and 230Vac with maximum power condition

GENERAL SPEC.

Hold-up Time	12ms@Max.Load
Dimensions	325 x 76 x 40 (mm)
Operating Temperature	0 °C ~ 45 °C
Storage Temperature	-40 °C ~ 70 °C

SAFETY

UL,CSA,TUV,CB,CCC

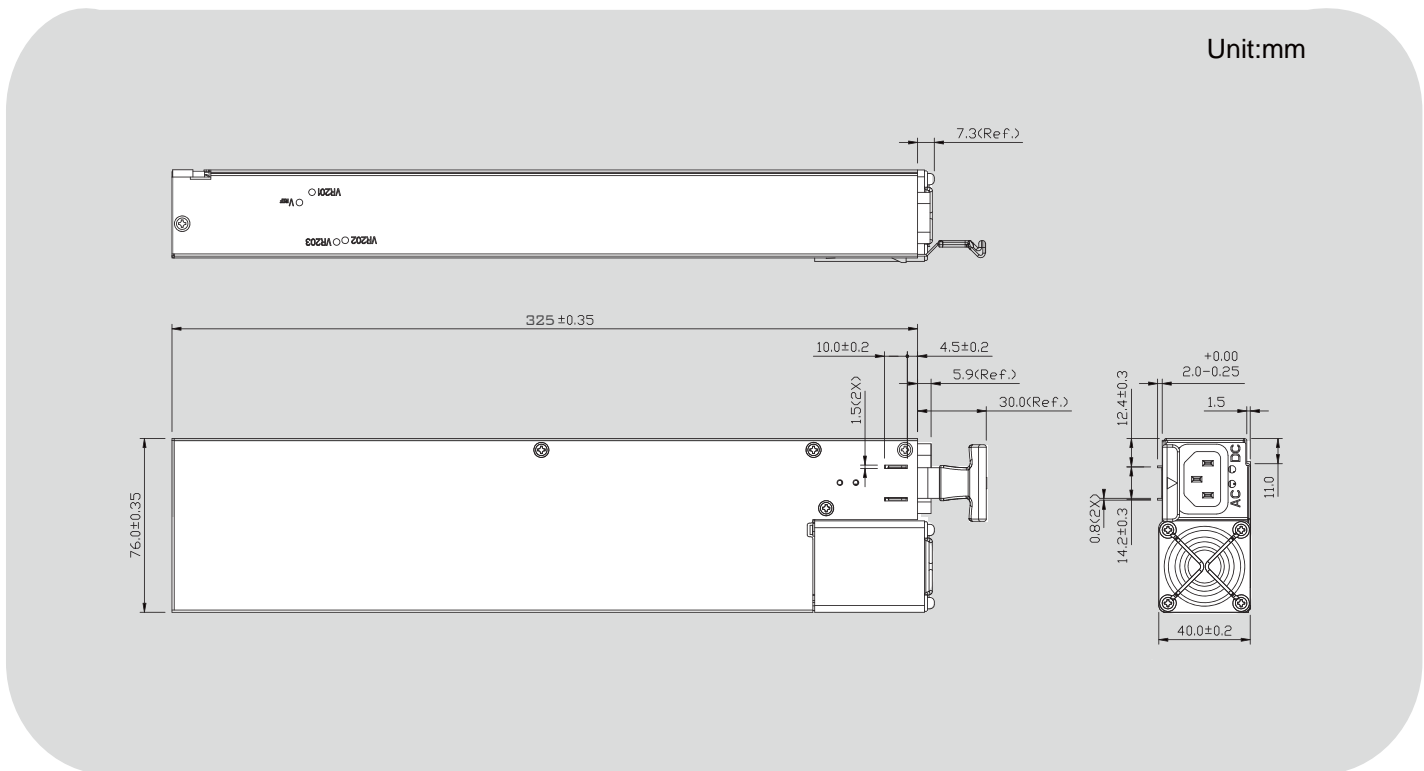
EFFICIENCY PERFORMANCE

Load	100% Load
115V AC Input	Min 80 %
230V AC Input	Min 85 %

700W OUTPUT SPEC.

Output	Voltage	Regulation	Min. Load	Max Load	Pipple p-p
V1	+12V	12.2V +/- -3%	0 A	56A	120 mV
V2	+5Vsb	5V +/- -5%	0 A	4A	50 mV

OUTLINE DRAWING



Unit:mm